

# easy-trim<sup>®</sup> PolyureCoat

## 1. Content

Product Intro  
 System benefits  
 Applications

## 2. Products & Accessories

PolyureCoat Waterproofing system  
 PolyureCoat Accelerator  
 Easy Trim Reinforcing Fleece  
 PolyureCoat Reactivator  
 PolyureCoat Primer (Part A)  
 PolyureCoat Sealant  
 GRP Trims  
 - Drip Trim  
 - Wall Trim  
 - Raised Edge Trim  
 - Wall Fillet  
 - Internal & External Corners

## 3. Tools

## 4. General Notes

## 5. General Preparation

Ponding Water  
 Roof Plants  
 Stone Chippings  
 Moss & Algae Growth  
 Plant Items

## 6. Applications on Bituminous Membranes

Roof Preparation  
 Treating defects  
 Details  
 Pipe Penetration  
 Outlets  
 Upstands  
 Main Roof Areas

## 7. Application on Mastic Asphalt

Roof Preparation  
 Treating defects  
 Details  
 Pipe Penetration  
 Outlets  
 Upstands  
 Main Roof Areas

## 8. Applications on New Plywood/ OSB Roofdek Boards

Detailing roof Deck  
 Board Joints  
 Trims  
 Intricate details  
 Pipe Penetration  
 Outlets  
 Upstands  
 Main Roof Areas

## 1. Content

### Product Introduction

PolyureCoat is a liquid waterproof membrane, formulated from a unique blend of moisture triggered polyurethane resin to produce a fast curing, seamless, tough and elastic waterproofing system. Highly durable and puncture resistant. Ideal for both new construction and refurbishment projects.



### Applications

Suitable For installations on

- New build and refurbishment projects
- GRP Roofs
- Profiled metal roofs
- Existing Single ply membrane (PVC)
- Existing Bituminous felt
- Existing Mastic Asphalt
- Concrete deck
- New Ply/OSB decks
- Large Commercial roofs
- Metal & Plywood Gutters



Mastic Asphalt



Existing Bituminous felt roofs



Exterior Ply/Roofdek Boards



Gutters

## 2. Products & Accessories

### System Components

**PolyureCoat Waterproofing Systems:** PolyureCoat is a single component liquid waterproof membrane, formulated from a unique blend of moisture triggered polyurethane resin to produce a fast curing, seamless, tough and elastic waterproofing system. Available in:

- 6kg tins
- 25Kg tins

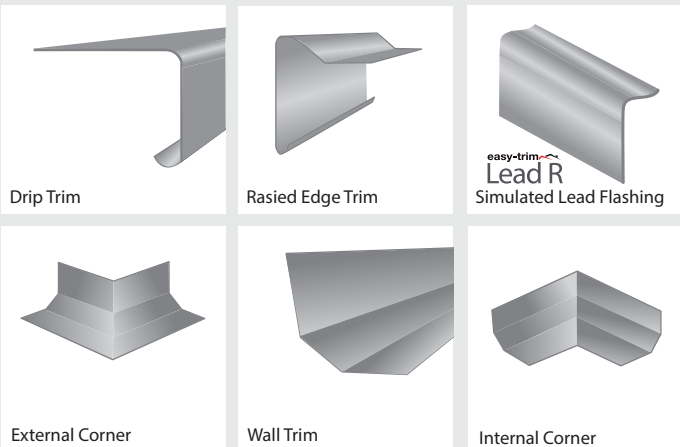
**Easy-Trim Reinforcing Fleece:** carefully selected reinforcement used on joints, upstands, change in directions and fully reinforcing the system during installation. Available in:

- 300mm x 50m
- 1000mm x 50m

**Easy-Trim GFR Matting:** premium grade matting used on intricate details only. Available in:

- 150mm x 20m
- 250mm x 20m

### Recommended GRP Trims:



**PolyureCoat Accelerator:** is an additive used in reducing the curing time of PolyureCoat. PolyureCoat Accelerators are only recommended when low temperatures are expected over night. Available in:

- 210ml tins
- 850ml tins

PolyureCoat / Accelerator Ratio	
PolyureCoat	Accelerator
6kg	210ml
25kg	850ml

## 3. Tools

### Tools needed:

- Medium Pile Rollers - 4" and 9"
- Mini Rollers
- Brushes
- Scissors
- Personal Protective Equipment
- Paddle Mixer
- Foil Backed Tape
- White spirit

## 4. General Notes

For projects of less than 30m<sup>2</sup> please use the installation guide below. We recommend that projects larger than 30m<sup>2</sup> should be fully reinforced with the Easy-Trim Reinforcing Fleece once fully trained by the Easy Trim technical team.

**Safety:** It is recommended that appropriate personal protective equipment's are worn during product installation. Gloves, eye protection, safety footwear, nose mask. Risk assessments should be carried out by suitable qualified personnel to ensure the safety of all installers.

**Storage:** Store only in the original container. Store in a well ventilated place. Keep containers away from any incompatible materials.

**Cleaning:** Clean tools immediately after use with white spirit. Wash hands after use.

Please contact Easy Trim technical department for all technical enquiries on 0845 0346008 or technical@easy-trim.co.uk

## 5. General Preparation Notes

**Standing Water on Roofs:** To avoid standing water on roofs, new ply deck/ OSB decks should be installed on suitable firings to ensure adequate water run-off. Existing roofs with standing water, will continue to experience this problem unless design considerations are taken to ensure adequate falls are introduced to aid proper run-off of water to the outlets or gutter. This is usually achieved with a tapered insulation scheme.

**Roof Plants:** All plant items should be replaced on suitable plant support systems, to prevent any damage to the new waterproofing system. Redundant plant items removed and disposed off site.

**Stone Chippings:** Remove existing stone chippings completely and disposed of accordingly. Power wash and sweep the roof clean. Before application of Polyurecoat, thoroughly check existing waterproofing system to ensure the system is suitable to receive the new waterproofing system. Delaminated membranes, felt with exposed carriers, cracks across the membrane should not be over coated but stripped.

**Moss and Algae Growth:** thoroughly wash affected areas with suitable fungicidal wash.

**Please note that the Accelerator is only recommended when freezing temperatures are expected upto 48 hrs after product installation and is not recommended to be used where temperatures are expected to exceed 20°C. All accelerated installations must be fully reinforced across the whole roof area.**

**Mixing PolyureCoat:** Using a paddle mixer on a drill at slow speed, thoroughly mix the content of the tin for 2mins, carefully moving the paddle round the tin in a circular shape.



### Mixing Accelerator and Polyurecoat

Polyurecoat Accelerators are supplied with the exact volume of accelerator needed for the tin supplied.

PolyureCoat / Accelerator Ratio	
PolyureCoat	Accelerator
6kg	210ml
25kg	850ml

The products must be mixed in the exact ratio supplied, it is recommended to mix the products with a suitably sized paddle mixer slowly, to ensure a thorough mix of the product is always achieved.

## 6. Application to Bituminous Membranes



Existing bituminous membranes should be thoroughly cleaned, checked for any defects and are durable enough to receive an over coat of the system. Where membranes have become brittle with exposed carriers, such membranes are not deemed fit to be over coated with PolyureCoat. Not to be applied on solar reflective paint.

### Roof Preparation

Water jet clean the roof area to be coated, or brush and clean all surfaces to remove any loose debris, dust, algae growth, plant growth, stone chippings, loose minerals, and ensure no grease or oil spills are left on the roof.

**Significant cracks can be filled with polyurethane based mastics, but not silicon based mastics.**



### Detailing Defects in the membrane

Small cracks, cut blisters, patch repairs and de-bonded laps in the membrane should be reinforced with Easy-Trim Reinforcing Fleece, embedded in a coat of PolyureCoat.

Apply PolyureCoat at 1.5kg/sqm to the affected area, allowing a 400mm wide coated area across the defect, into this roll out the Easy-Trim Reinforcing Fleece 300mm wide and pull through the PolyureCoat with a roller across the surface, ensuring the reinforcement is covered with a thin layer of product and then leave to dry.

Allow coated areas to dry before applying the second coat.

Apply a coat of PolyureCoat to the dry base coat, at a minimum quantity of 1kg/sqm.

### Details

**Pipe penetrations:** Make slits in a piece of the Easy-Trim Reinforcing Fleece as shown in fig 1 (see page 5). Apply a layer of PolyureCoat to the base of the penetration, wrap round the Easy-Trim Reinforcing Fleece to the pipe, carefully pull through the PolyureCoat with rollers or brush, and apply a thin layer of PolyureCoat. Embed the second detail piece fig 2 (see page 5) over the first, carefully pull through the PolyureCoat with rollers and apply another layer of PolyureCoat whilst still wet (fig 3), to fully encapsulate the Easy-Trim Reinforcing Fleece.

**Outlets:** Clean out the outlets and remove the covers before applying PolyureCoat around the outlet, bed a square piece of the Easy-Trim Reinforcing Fleece with a star cut into the PolyureCoat and carefully detail in and around the outlet. Apply another coat of PolyureCoat whilst still wet, to fully encapsulate the matting.

**Upstand:** Reinforce all upstands using the 300mm wide Easy-Trim Reinforcing Fleece, embedded in a coat of PolyureCoat. Apply another coat of PolyureCoat whilst still wet, to fully encapsulate the reinforcement.

PolyureCoat should not be applied on wet surfaces or in wet conditions and in temperatures below 5°C.



Grid out areas to be covered by each mixed tin before proceeding with the installation. Pour out the required volume of PolyureCoat at the recommended coverage rates across the gridded areas using a roller for the application. The recommended coverage rates for installation on bituminous membranes is 2.0kg/sqm, applied in two coats of 1kg/sqm and 1kg/sqm once the first coat is dry. Allow coated areas to dry before applying the second coat. Once installed, inspect the roof areas to ensure even coverage and apply another coat where required. Application temperature ranges between 5°C to 35°C.

Polyurecoat should be applied in 2 thin coats with a coverage rate of no more than 1kg/sqm/coat. Apply the second coat Applications with the accelerator must be fully reinforced with the Easy Trim reinforcing fleece and accelerated product installation should not be carried at temperatures above 20°C.

### 1.7kg/sqm - 15 Year Guarantee

Applied in two coats of 1kg/sqm and 0.7kg/sqm (or a thickness of no less than 1.5mm) once the first coat is dry

### 2.0kg/sqm - 20 Year Guarantee

Applied in two coats of 1kg/sqm and 1kg/sqm (or a thickness of no less than 1.8mm) once the first coat is dry

Please note: Coverage rates do not account for material required due to porosity of the surface, wastage or uneven surface.

## 7. Application to Mastic Asphalt



### Roof Preparation

Existing asphalt, must be thoroughly checked and found to be clean and durable enough to receive an over coat of PolyureCoat. Where the asphalt have become brittle, such roof areas are not deemed fit to be over coated with PolyureCoat. Water jet clean the roof area to be coated or brush and clean all surfaces to remove any loose debris, algae growth, plant growth, stone chippings, loose minerals, and ensure no contaminant like grease or oil spills are left on the roof.

Cracks can be filled with polyurethane based mastics, but not silicon based mastics

### Treating Defects in the asphalt

Small cracks, cut blisters, patch repairs and de-bonded laps in the membrane should be reinforced with Easy-Trim Reinforcing Fleece, embedded in a coat of PolyureCoat. Apply PolyureCoat at 1.5kg/sqm to the affected area, allowing a 400mm wide coated area across the defect, into this roll out the Easy-Trim Reinforcing Fleece 300mm wide and pull through the PolyureCoat with a roller across the surface, ensuring the reinforcement is covered with a thin layer of product and then leave to dry.



Allow coated areas to dry before applying the second coat. Apply a coat of PolyureCoat to the dry base coat, at a minimum quantity of 1kg/sqm.

### Details

**Pipe penetrations:** Make slits in a piece of the Easy-Trim Reinforcing Fleece as shown in figure 1 (see page 5). Apply a layer of PolyureCoat to the base of the penetration, wrap round the Easy-Trim Reinforcing Fleece to the pipe, carefully pull through the PolyureCoat with rollers or brush, and apply a thin layer of PolyureCoat. Embed the second detail piece fig 2 (see page 5) over the first, carefully pull through the PolyureCoat with rollers and apply another layer of PolyureCoat whilst still wet, to fully encapsulate the Easy-Trim Reinforcing Fleece.

**Outlets:** Clean out the outlets and remove the covers before applying PolyureCoat around the outlet, bed a square piece of the Easy-Trim Reinforcing Fleece with a star cut into the PolyureCoat and carefully detail in and around the outlet. Apply another coat of PolyureCoat whilst still wet, to fully encapsulate the matting.

**Upstand:** Reinforce all upstands using the 300mm wide Easy-Trim Reinforcing Fleece, embedded in a coat of PolyureCoat. Apply another coat of PolyureCoat whilst still wet, to fully encapsulate the reinforcement.

# Tel: +44 (0) 845 034 6008

e: enquiries@easy-trim.co.uk

f: +44 (0) 845 034 6010

Unit 12B Metcalf Drive  
Altham Industrial Estate | Altham  
Lancashire | BB5 5TU | England

w: www.easy-trim.co.uk

find us:



## 7. Application to Mastic Asphalt cont.

**Main Roof Areas:** PolyureCoat should not be applied on wet surfaces or in wet conditions and in temperatures below 5°C. Grid out areas to be covered by each mixed tin before proceeding with the installation. Pour out the required volume of PolyureCoat at the recommended coverage rates across the gridded areas using a roller for the application. The recommended coverage rates for installation on bituminous membranes is 2.0kg/sqm, applied in two coats of 1kg/sqm and 1kg/sqm once the first coat is dry. Allow coated areas to dry before applying the second coat. Once installed, inspect the roof areas to ensure even coverage and apply another coat where required. Application temperature ranges between 5°C to 35°C.



### 1.7kg/sqm - 15 Year Guarantee

Applied in two coats of 1kg/sqm and 0.7kg/sqm (or a thickness of no less than 1.5mm) once the first coat is dry

### 2.0kg/sqm - 20 Year Guarantee

Applied in two coats of 1kg/sqm and 1kg/sqm (or a thickness of no less than 1.8mm) once the first coat is dry

Please note: Coverage rates do not account for material required due to porosity of the surface, wastage or uneven surface.

## 8. PolyureCoat Application on New Ply/OSB Deck



Apply new roof decking to BS 5268: Part 2: 2002 and to meet the requirements of European standard BS EN 13986.

**Plywood:** should be minimum 18mm, a joint gap of 1 mm per metre of panel should be allowed at all edges.

**Oriented Strand Board (OSB):** should be minimum 18mm tongue and groove roof decking should be type OSB/3 or OSB/4, conforming to BS EN 300:1997.



### Details

**Joints – Boards & Trims:** Tape joints in the deck using a foil backed tape.



Apply PolyureCoat at 1.5kg/sqm (or a thickness of no less than 1.5mm) to the board joints, allowing a 400mm wide coated area across the area, into this roll out the Easy-Trim Reinforcing Fleece 300mm wide and pull through the PolyureCoat with a roller across the surface. Add a further 1kg/sqm. min. whilst still wet to fully encapsulate the fleece.



**Joints - Trims:** Trim joints or any changes in surfaces or direction (timber fillets) must be reinforced with the Easy-Trim Reinforcing Fleece 300mm wide ensuring a minimum 50mm lap on both surfaces.

**Outlets** - Install new rainwater outlets or chute outlet, detail with Easy-Trim Reinforcing Fleece embedded in a coat of PolyureCoat. Apply another coat of PolyureCoat whilst still wet, to fully encapsulate the matting.

**Upstand:** Install timber fillets or GRP trims to all upstands. Reinforce all upstands using the 300mm wide Easy-Trim Reinforcing Fleece embedded in a coat of PolyureCoat. Apply another coat of PolyureCoat whilst still wet, to fully encapsulate the matting.



**Roof Penetrations:** Make slits in a piece of the Easy-Trim Reinforcing Fleece as shown in fig 1 (see page 5) Apply a layer of PolyureCoat to the base of the penetration, wrap round the Easy-Trim Reinforcing Fleece to the pipe, carefully pull through the PolyureCoat with rollers or brush, and apply a thin layer of PolyureCoat. Embed the second detail piece fig 2 (see page 5) over the first, carefully pull through the PolyureCoat with rollers and apply another layer of PolyureCoat whilst still wet (fig 3), to fully encapsulate the Easy-Trim Reinforcing Fleece.

### Main Roof Areas

PolyureCoat should not be applied on wet surfaces or in wet conditions or in temperatures below 5°C.

Grid out areas to be covered by each mixed tin before proceeding with the installation. Pour out the required volume of PolyureCoat at the recommended coverage rates across the gridded areas using a roller for the application. The recommended coverage rates for installation on bituminous membranes is 2.0kg/sqm, applied in two coats of 1kg/sqm and 1kg/sqm once the first coat is dry.

Allow coated areas to dry before applying the second coat.

Once installed, inspect the roof areas to ensure even coverage and apply another coat where required. Application temperature ranges between 5°C to 35°C.

### Guarantees

#### 1.7kg/sqm - 15 Year Guarantee

Applied in two coats of 1kg/sqm and 0.7kg/sqm (or a thickness of no less than 1.5mm) once the first coat is dry

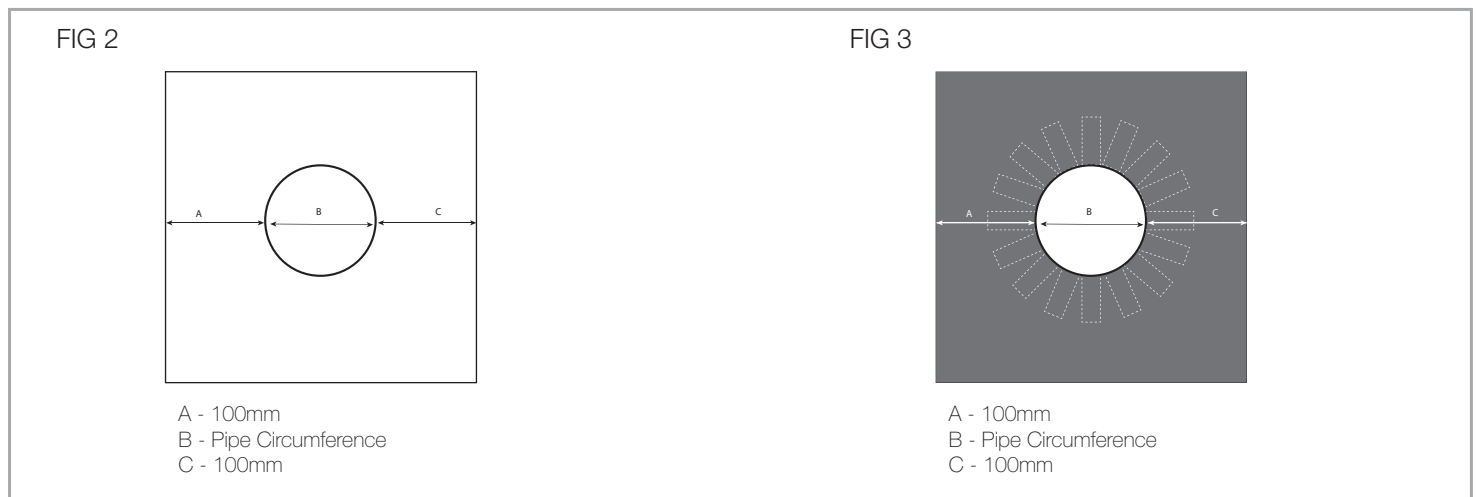
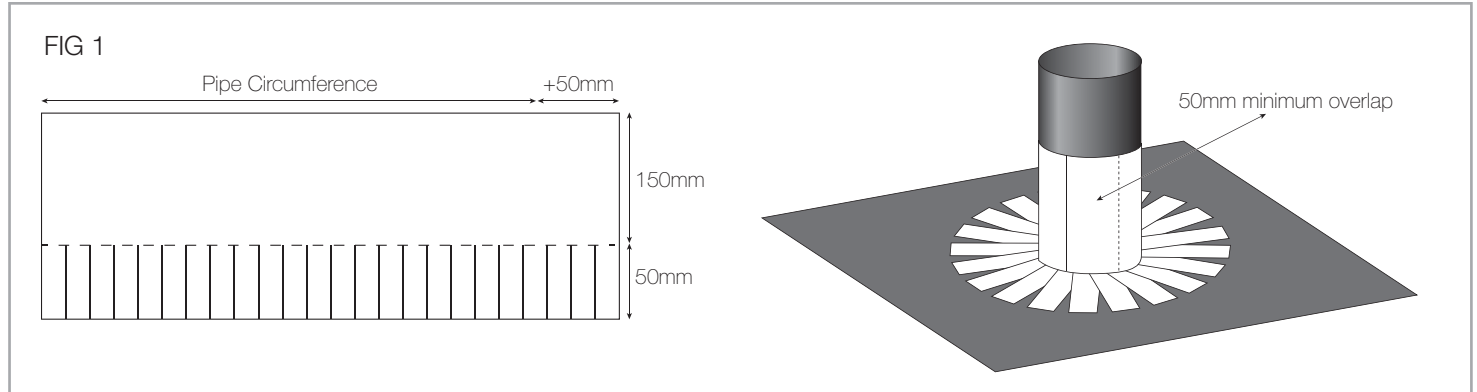
#### 2.0kg/sqm - 20 Year Guarantee

Applied in two coats of 1kg/sqm and 1kg/sqm (or a thickness of no less than 1.8mm) once the first coat is dry

Please note: Coverage rates do not account for material required due to porosity of the surface, wastage or uneven surface.

## PolyureCoat Detail

### Pipe penetrations



### Upstand Detail

